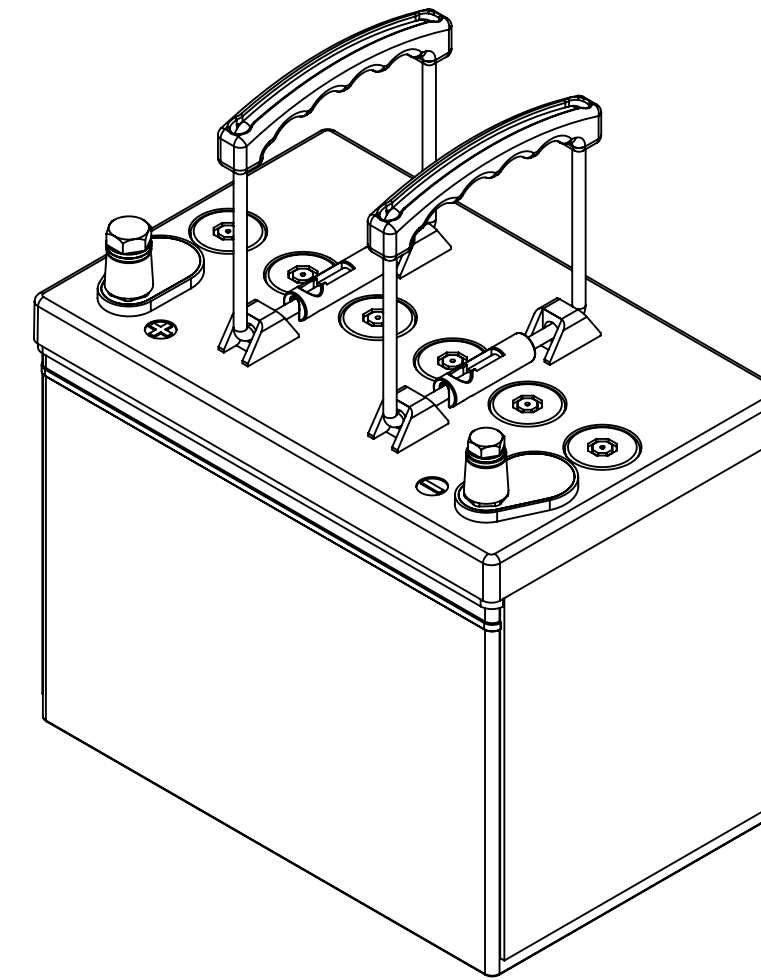
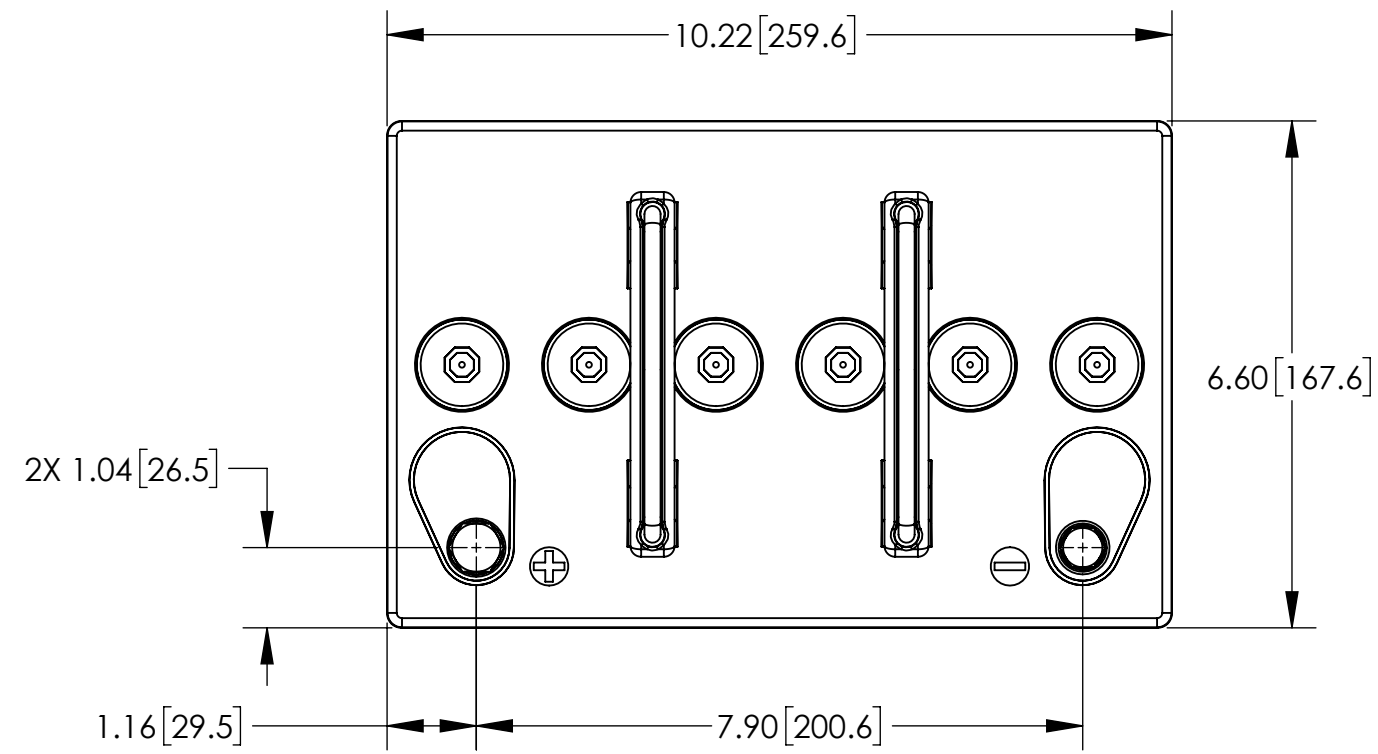


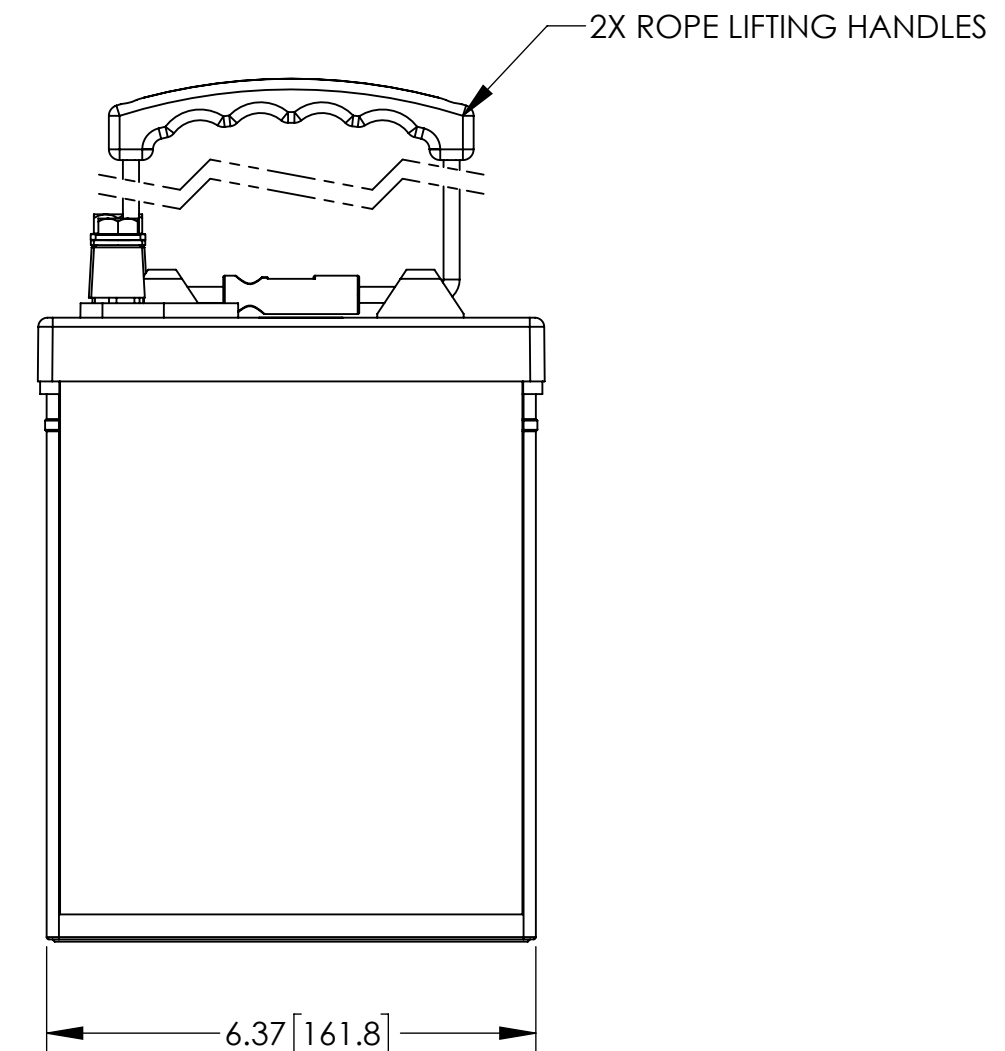
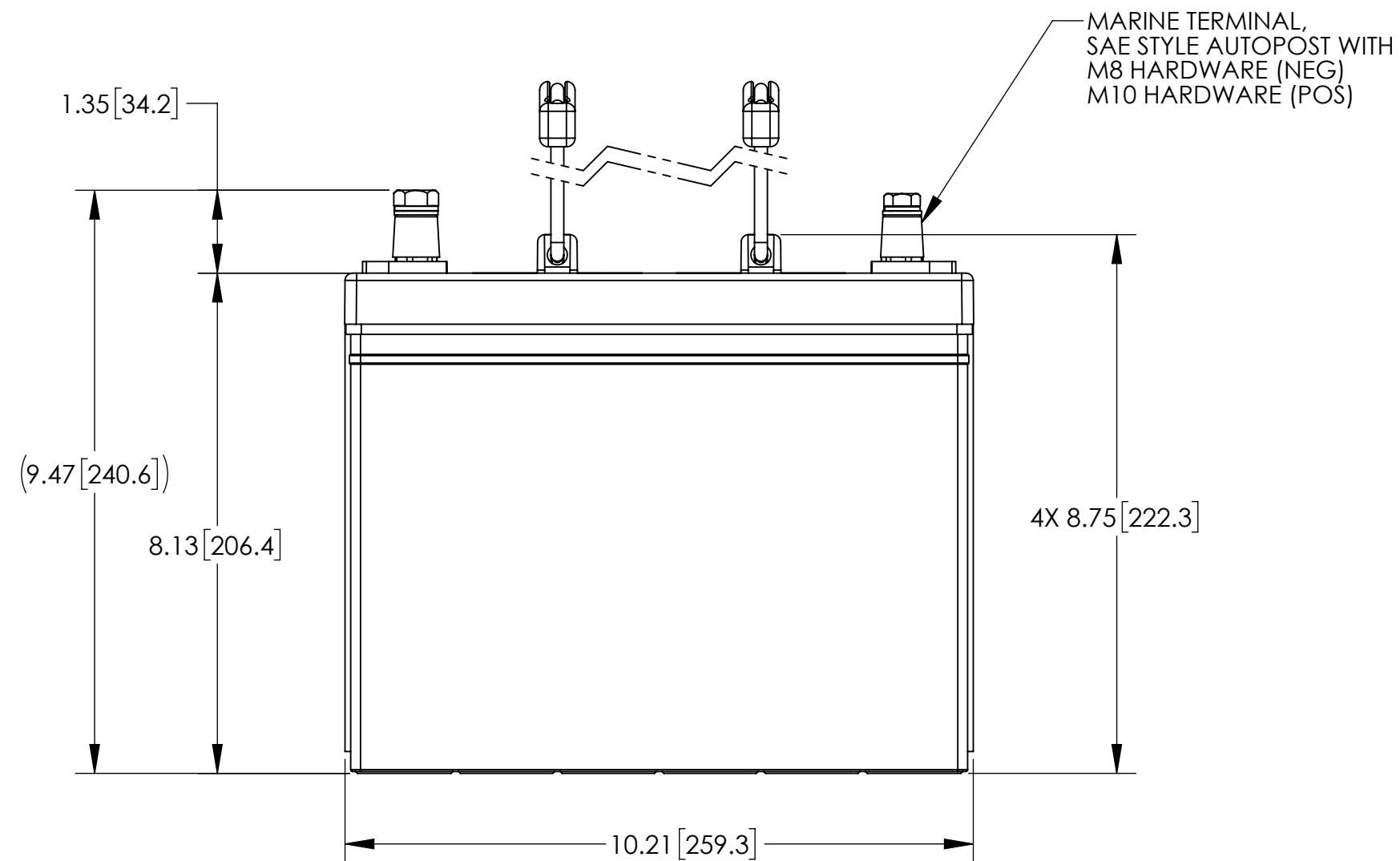
NOTES: UNLESS OTHERWISE SPECIFIED

1. SEE DRAWING NO. CB-00278 AND PROCEDURE P-1000 FOR ASSEMBLY AND TEST INSTRUCTION. PROCEDURES AND ASSEMBLY DRAWINGS ARE FOR INTERNAL USE ONLY.
2. ALL TESTING IS PERFORMED IAW BATTERY COUNCIL INTERNATIONAL STANDARDS.
3. ALL DIMENSIONS ARE INCH [MM].

REVISIONS			
REV	DESCRIPTION	DATE	APPROVED
A	REDESIGNED COVER	6/26/18	PH



ISOMETRIC VIEW



CAPACITY RATINGS	
PART NUMBER	GPL-2400T
NOMINAL WEIGHT	53 LBS [24.1 KG]
AMPERE HOUR CAPACITY @ 20 HOUR 1.75 VOLTS/CELL @ 77°F (25°C)	75 AH
MINUTES OF DISCHARGE @ 25 AMPS 1.75 VOLTS/CELL @ 77°F (25°C)	172 MIN
COLD CRANKING AMPS @ 68°F	870
COLD CRANKING AMPS @ 32°F	790
COLD CRANKING AMPS @ 0°F	650

ENVELOPE DRAWING

UNLESS OTHERWISE SPECIFIED DIMENSIONS ARE IN INCHES TOLERANCES ARE: FRACTIONS DECIMALS ANGLES ±1/32 .XX ±.06 ±1° .XXX ±.060	CONTRACT NO.		CONCORDE BATTERY CORPORATION 2009 SAN BERNARDINO RD, W. COVINA, CA 91790		
	APPROVALS		TITLE		
TREATMENT	NONE	CHECKED	HRF	5/14/02	BATTERY, 12 VOLT, GPL-2400T
FINISH	NONE	APPROVED	JBT	5/17/02	
SIMILAR TO	CALC WT	ISSUED	AT	6/29/18	SIZE C CAGE CODE 63017 DWG NO. GPL-2400T REV A
SCALE 1:2.5				SHEET 1 OF 1	